



**Properties**

- Ø18 mm housing
- 8 mm, non-flush mountable
- DC, 3-wire switching output
- Cable and connector versions

**Further Products**

In this series, we offer additionally:

**NBN8-18GM50-E2-T**

Technical data like NBN8-18GM50-E2 but:  
Ambient temperature: -25 ... 100 °C (-13 ... 212 °F)

**NBN8-18GM50-E2-T-V1**

Technical data like NBN8-18GM50-E2-V1 but:  
Ambient temperature: -25 ... 100 °C (-13 ... 212 °F)

**Technical Data**

For detailed data and product description refer to the data sheets at [www.pepperl-fuchs.com](http://www.pepperl-fuchs.com)

**General Data**

Rated operating distance	8 mm
Installation	non-flush
Type of voltage	DC
Operating voltage	10 ... 30 V
Reverse polarity protection	✓
Switching frequency	0 ... 500 Hz
Operating current	0 ... 200 mA
Short-circuit protection	pulsing
Indication of the switching state	LED, yellow

**Model Number**

		NBN8-18GK50-E0	NBN8-18GK50-E2	NBN8-18GM50-E0	NBN8-18GM50-E2	NBN8-18GM50-E0-V1	NBN8-18GM50-E2-V1
Switching element function	NPN NO	●	●	●	●	●	●
	PNP NO						
No-load supply current	≤ 15 mA	●	●				
	≤ 18 mA			●	●	●	●
Ambient temperature	-25 ... 70 °C (-13 ... 158 °F)	●	●	●	●	●	●
	-40 ... 70 °C (-40 ... 158 °F)						●
Housing material	brass, nickel-plated			●	●	●	●
	PBT	●	●				
Protection degree	IP67			●	●	●	●
	IP68 / IP69K	●	●				
Connection type	Device connector M12 x 1, 4-pin					●	●
	cable PVC, 2 m	●	●	●	●		

**Approvals and Certificates**

UL approval	cULus Listed, General Purpose	●	●	●	●	●	●
CSA approval	cCSAus Listed, General Purpose	●	●	●	●	●	●
CCC approval	Products with a maximum operating voltage of ≤36 V do not bear a CCC marking because they do not require approval.						

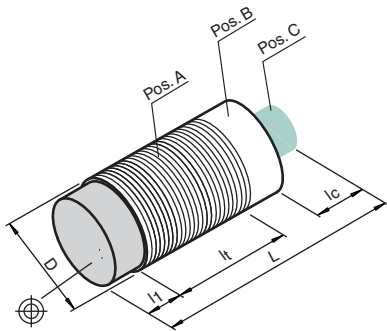
**Dimensions**

Length L [mm]	52	52	50	50	65	65
Diameter D [mm]	18					
Thread length l <sub>t</sub> [mm]	49	49	37	37	40	40
Cap length l <sub>1</sub> [mm]	1		10			
Connector area l <sub>c</sub> [mm]	0					15
LED position	Pos. C					

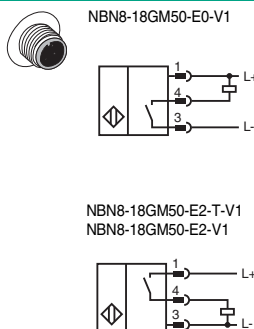
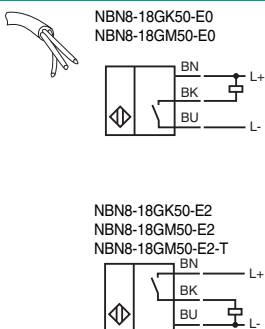
**Accessories**

This and more accessories can be found in chapter 10  
See pages from 972 ... for cordsets See pages 1068 ... for mounting aids

- V1-W-BK** 4-pin, M12 female field-attachable connector
- BF 18** Mounting flange, 18 mm
- V1-G-2M-PUR** Cable socket, M12, 4-pin, PUR cable
- V1-G-BK** 4-pin, M12 female field-attachable connector
- V1-W-2M-PUR** Cable socket, M12, 4-pin, PUR cable



**Electrical Connection**



Wire colors in accordance with EN 60947-5-2

- 1 BN (brown)
- 2 WH (white)
- 3 BU (blue)
- 4 BK (black)